

# DC-M9504 Base Mount Short Circuit Isolator



## Description

In loop type fire alarm system, it often occurs that partial short circuit of loop affects the whole system. DC-M9504 Loop Isolator can isolate the shorted circuit from the complete loop to ensure normal operation of other parts and locate the isolated part.

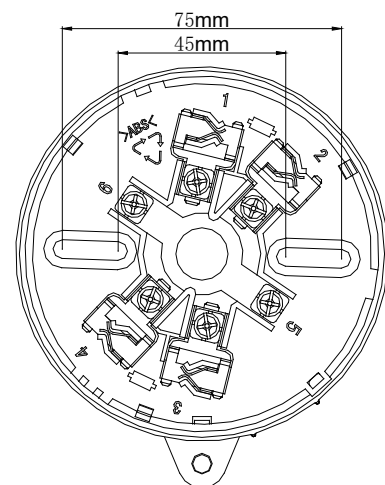
The isolator is applicable to Class A loop wiring.

As a base type, the isolator can be used to replace a common base, to save the cost of installation and cabling.

## Features and Benefits

- Polarity-sensitive external connections. Input and output can be used inversely without direction.
- Delayed power-up to output end devices, avoids strong transient current when the load is heavy.

## Terminals and Installation Holes



1, 3: Loop output cable, 1 is positive and 3 is negative.

5, 6: Loop input cable, 5 is negative and 6 is positive.

2, 4: Connecting with remote indicator output.

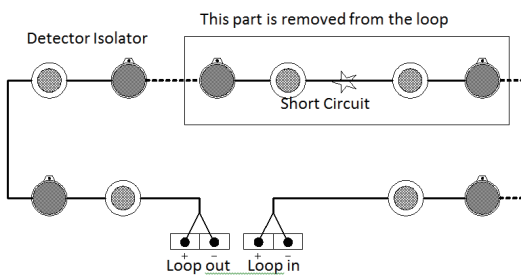
### Recommended Cabling

17AWG~14AWG (maximum 14AWG) fire cable, subject to local codes

## Application

The isolator is simply plugged onto the base after corresponding terminals are connected.

To ensure the operation of isolator, maximum 70 devices can be connected between each 2 isolators. Application of the isolator in Class A loop is shown below.



## Technical Specification

Operating Voltage	24VDC
Standby Current	≤ 150uA
Capacity	Devices quantity between 2 isolators should follow local codes but cannot exceed 70 devices.
Indicator	Yellow, flashes when polling, illuminates in action.
Ingress Protection Rating	IP33 (with cover) IP22 (without cover)
Operating Temperature	0°C ~ +49°C
Relative Humidity	≤93%, non condensing
Material of Enclosure	Flame-retardant ABS (PA-765A), white.
Dimension	100mm x 39mm
Weight	About 100g

## Certificates and Compliance

- Standards: UL864 / MFPA [72,70]
- Listed by UL
- WEEE & RoHS Compliant

## Order Information and Compatible Products

Part No.	DC-M9504
Device Name	Loop Isolator
Product No.	10105137
Compatible Panels	GST-M200 Intelligent Fire Panel GST-IFP4M Intelligent Fire Panel
Compatible Detectors	DI series intelligent detectors